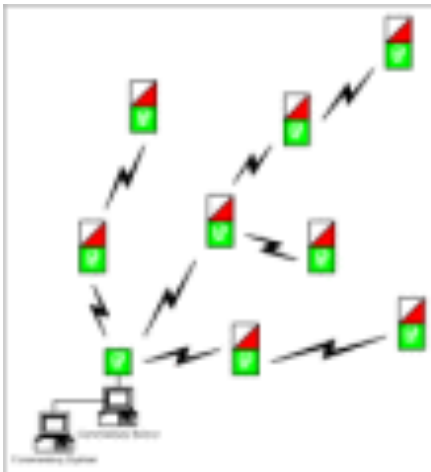


Planners Guide to Orienteering Commentary



Orienteering Telemetry System
Real Time Race Radio Information



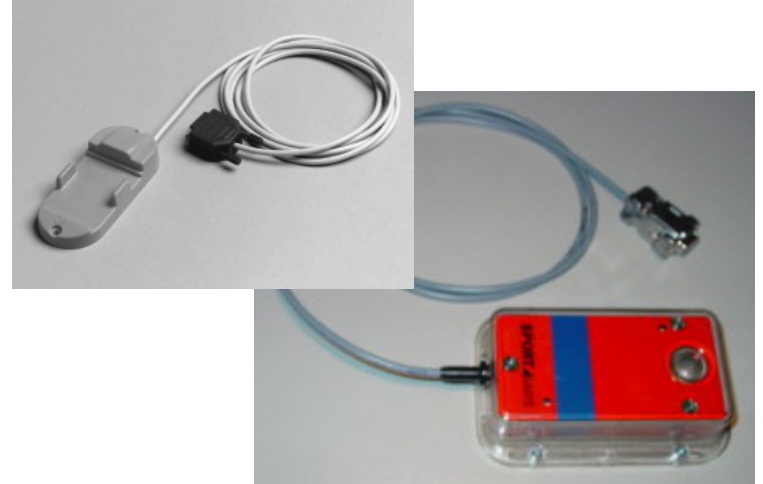
Commentaries Needs

- Information, Information, Information
 - Else they are back to discussing the weather!
- Names, Locations
- Race Position
- Time ahead / behind
- Biography Information
 - And all this before the public know about it



How to achieve it

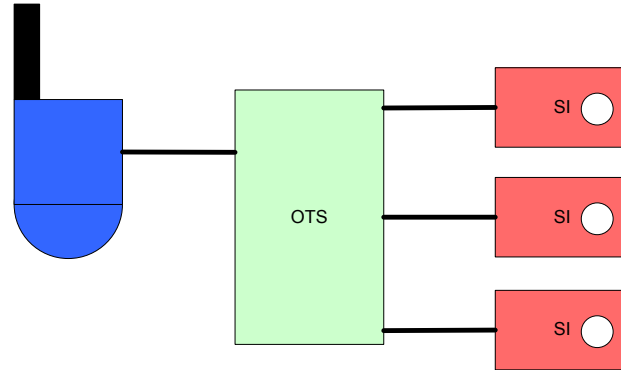
- Get the data
 - By hook or by crook
- Radio Controls
 - SI and EMIT both have online controls
 - These devices just send the data out of a cable when the competitor punches
 - Need to connect to a radio network to get it back to the commentators



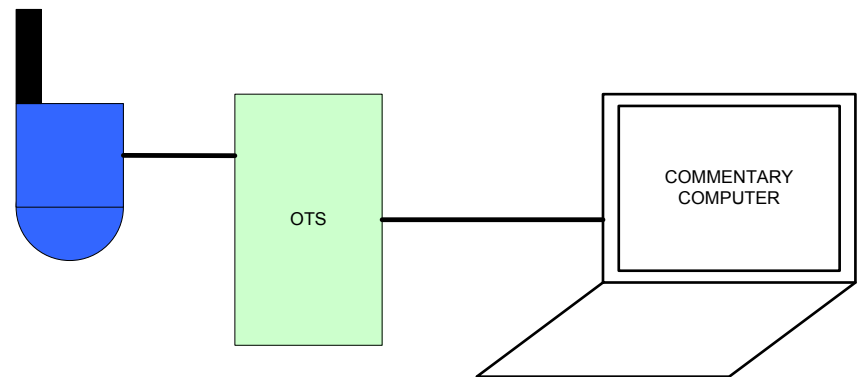


Radio Network Hardware

- The Control Site



- The Commentary Position





Planners / Organisers Considerations

- Common pre-warning controls (Spectator & Finish)
 - Small number (Keeps radio hardware to a minimum)
 - Need to be approx 1 – 2 min running time from when the competitors become visible (usually ~800m)
- Commentary box logistics
 - Good visibility of the run-in
 - Needs power
 - Needs cable connection to finish line
 - Needs computer network connection to results / download (less than 150m is advised)
 - Needs to be large enough for 3 people and 6 laptops (typically)





Other Considerations

- Timed Road Crossings
 - Both the before and after controls need to be online
 - The software can then subtract the time for all subsequent controls.
- Distant Radio Controls
 - Often on middle distance and classic competitions you will want some more data points
 - Consider an elite only radio control at 30% / 60% or 50% points





Contact Details

**GPProjects Ltd.
Surrey Technology Centre
40 Occam Road
Guildford
Surrey
GU2 7YG**

Tel: +44 (0)1483 685200

Fax: +44 (0)1483 685201

Email: Enquiries@GPProjects.com